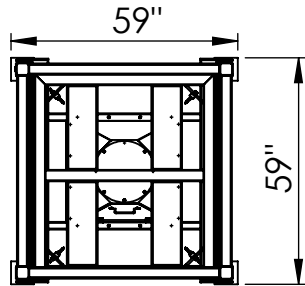


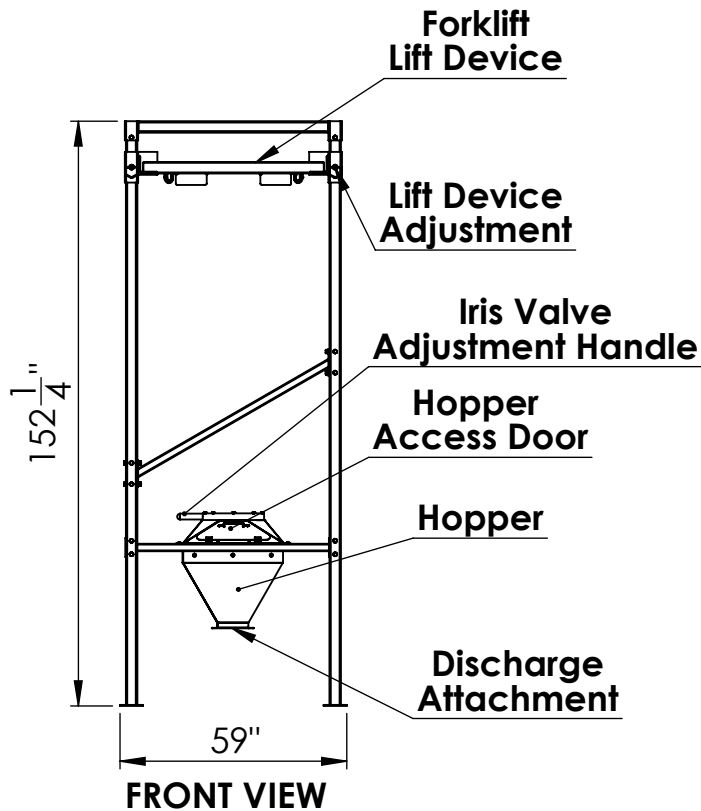
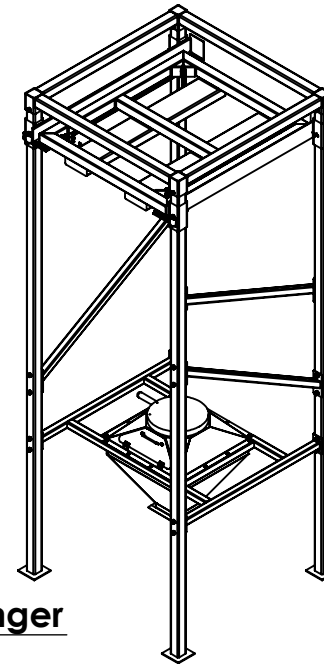
DATE:

CUSTOMER PRINT:

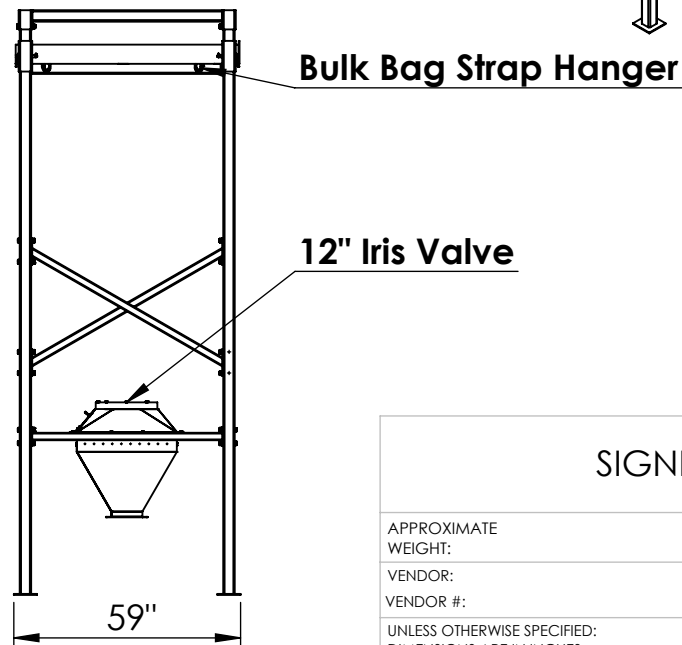
CUSTOMER SIGN:



TOP VIEW



FRONT VIEW



SIDE VIEW

<b>SIGNED APPROVAL</b>		USE TOLERANCE BLOCK UNLESS OTHERWISE SPECIFIED: .XX ± .02 .XXX ± .010 .XXXX ± .0005 FRACTIONS= ±1/16 ANGLES= ±1°	
APPROXIMATE WEIGHT:	ANTICIPATED BUILT START DATE:	<b>STANDARD BULK BAG RACK WITH HOPPER AND IRIS VALVE</b>	
VENDOR:	VENDOR #:		
UNLESS OTHERWISE SPECIFIED: DIMENSIONS ARE IN INCHES.			
DRAWING SIZE: <b>A</b>	REVISION:	DESCRIPTION:	
ANTICIPATED SHIP DATE:	DWG NO.		
WEIGHT:	SCALE:1:50	SHEET 2 OF 3	