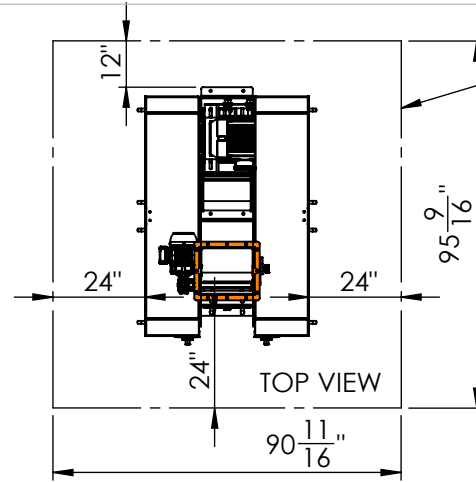


DATE:

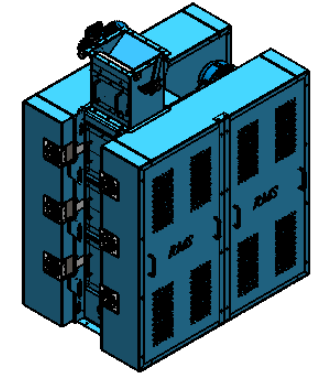
CUSTOMER PRINT:

CUSTOMER SIGN:

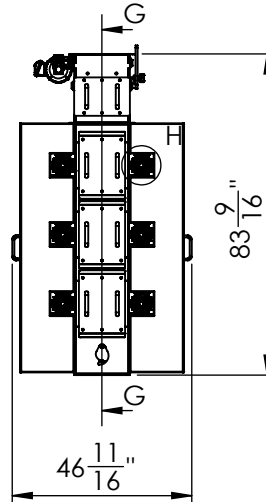
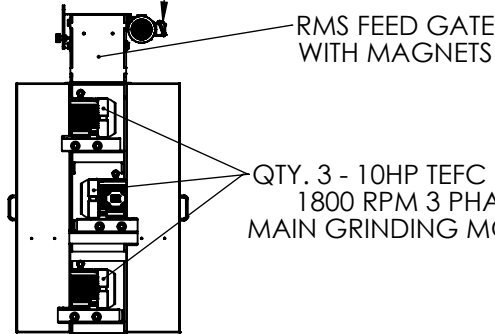
NOTE: MAIN GRINDING MOTORS ARE NOT VFD COMPATIBLE.



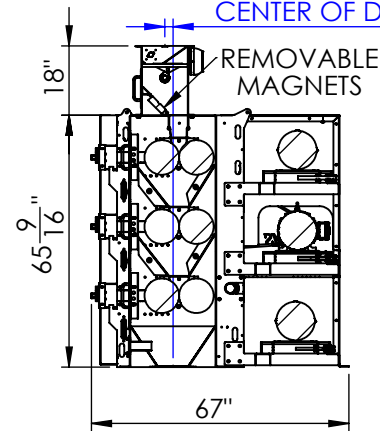
MINIMUM SPACE REQUIRED FOR PROPER MAINTENANCE



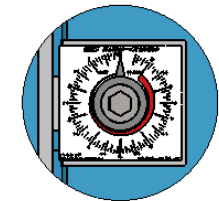
QTY. 1 - 1/2HP TEFC OR XP 1800 RPM 3 PHASE AGITATOR MOTOR



2 1/8" CENTER OF INLET TO CENTER OF DISCHARGE

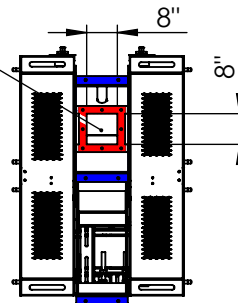


SECTION G-G



DETAIL H SCALE 1 : 10

CENTERED, 8" W X 8" L STANDARD DISCHARGE



BOTTOM VIEW

### SIGNED APPROVAL

USE TOLERANCE BLOCK UNLESS OTHERWISE SPECIFIED:  
 .XX ± .02  
 .XXX ± .010  
 .XXXX ± .0005  
 FRACTIONS= ±1/16  
 ANGLES= ±1°

APPROXIMATE WEIGHT: 4,500 LBS.

ANTICIPATED BUILT START DATE:

VENDOR: VENDOR #:

DESCRIPTION:

9X12 TRIPLE PAIR ROLLER GRINDER WITH MAGNET GATE

UNLESS OTHERWISE SPECIFIED: DIMENSIONS ARE IN INCHES.

DRAWING SIZE: A REVISION:

ANTICIPATED SHIP DATE:

DWG NO.

DRAWN BY:

DATE:

9X12TP

WEIGHT:

SCALE:1:50

SHEET 4 OF 7