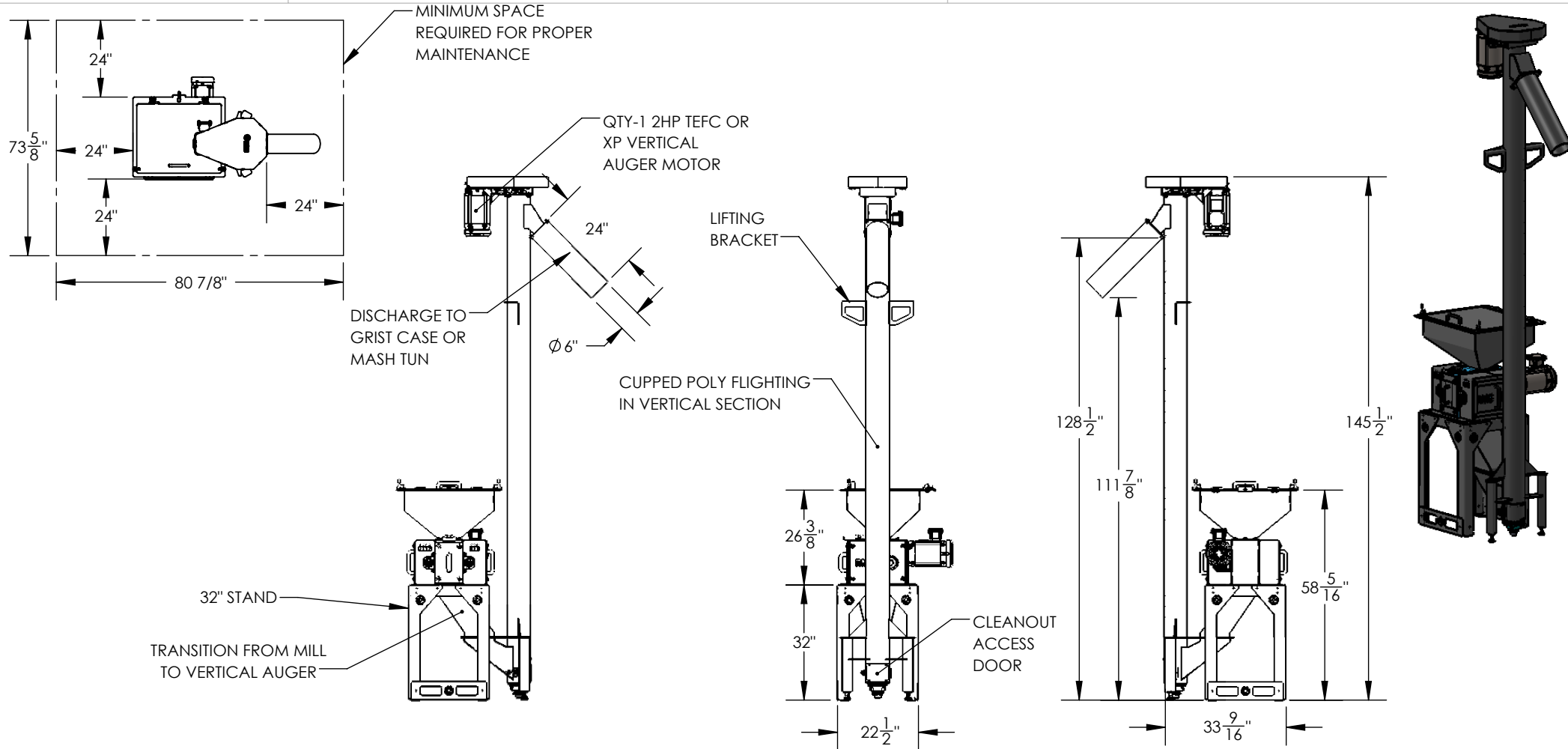


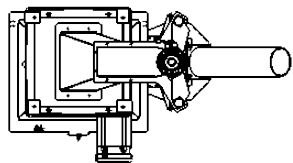
DATE:

CUSTOMER PRINT:

CUSTOMER SIGN:



NOTE:  
 1. OVERALL VERTICAL AUGER HEIGHT AND DISCHARGE LOCATION CAN BE ADAPTED TO MATCH CUSTOMER REQUIREMENTS.



<b>SIGNED APPROVAL</b>		USE TOLERANCE BLOCK UNLESS OTHERWISE SPECIFIED: .XX ± .02 .XXX ± .010 .XXXX ± .0005 FRACTIONS= ±1/16 ANGLES= ±1°	
APPROXIMATE WEIGHT:	ANTICIPATED BUILT START DATE:	<b>6X6 SINGLE PAIR VERTICAL AUGER BREW SYSTEM</b>	
VENDOR:	DESCRIPTION:		
VENDOR #:			
UNLESS OTHERWISE SPECIFIED: DIMENSIONS ARE IN INCHES.			
DRAWING SIZE: <b>A</b>	REVISION:		
ANTICIPATED SHIP DATE:	DWG NO. <b>6X6SP 2018</b>	DRAWN BY: <b>KSD</b>	DATE: <b>6/23/17</b>
WEIGHT: 709.879	SCALE: 1:40	SHEET 2 OF 2	