
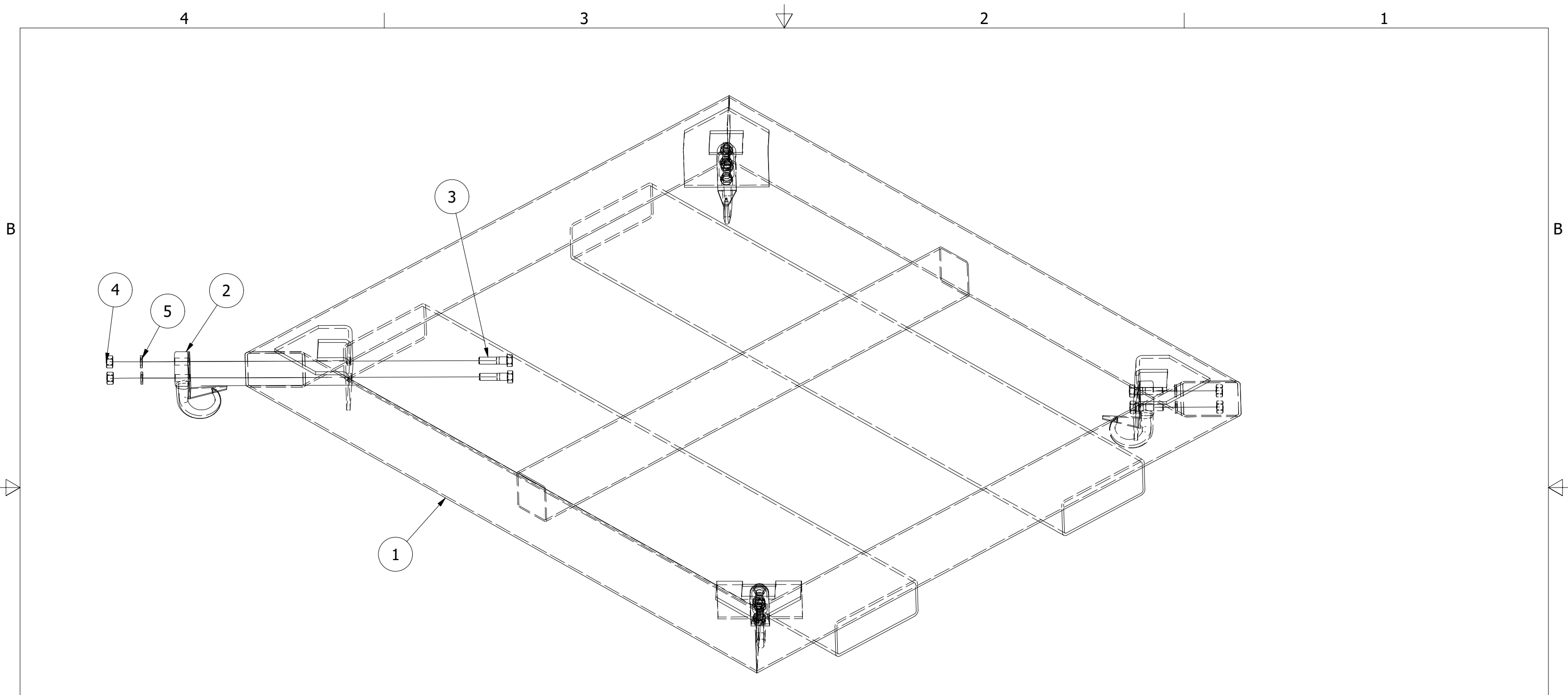



PARTS LIST			
ITEM	QTY	PART NUMBER	DESCRIPTION
1	4		LEG, BULK BAG RACK
2	3	EZ200351	WELDMENT, BAG RACK - ANGLE CROSS SUPPORT
3	1		BOTTOM H-FRAME
4	1	EZ213354	HOPPER GRATE, 26X26
5	1	EZ200236	WELDMENT, BAG RACK - BAG HANGER SUPPORT, RIGHT
6	1	EZ200242	WELDMENT, BAG RACK - BAG HANGER SUPPORT, LEFT
7	1	EZ213072	BAG HANGER ASSM, BULK BAG RACK, STD
8	20	EZ200352	BOLT, HEX HEAD GR 5 ZINC PLATED 5/8-11 UNC X 4
9	4	EZ200353	BOLT, HEX HEAD GR 5 ZINC PLATED 5/8-11 UNC X 4 1/2
10	24	EZ101668	NUT, HEX GR 5 ZINC PLATED 5/8-11 UNC
11	24	EZ103532	WASHER, LOCK 5/8" [ZINC]
12	4	EZ200253	PIN, SNAP 5/8 X 4
13	6	EZ200644	BOLT, HEX FLANGE, 3/8-16X1 GR5
14	1	EZ214068	TOP FRAME WELDMENT

ASSEMBLY	JEJ	2020-06-30	APPROVED	APPROVED	DATE
DESCRIPTION	REVISION HISTORY				
REV	A				

DRAWN JEJ	DATE 6/30/2020	EASY AUTOMATION, INC.	
CHECKED	DATE		
MATERIAL	PROJECT		
 102 MILL STREET WELCOME, MN 56181 OFFICE: (507) 728-8214 FAX: (507) 728-8215 <small>THIS DRAWING IS THE SOLE PROPERTY OF EASY AUTOMATION, INC. ALL RIGHTS RESERVED. NO PART OF THIS DRAWING SHALL BE COPIED WITHOUT THE WRITTEN CONSENT OF EAI.</small>	TITLE BULK BAG RACK, STANDARD		
	SIZE B	DWG NO ASSEMBLY	REV A
	SCALE .05	SHEET 1 OF 2	
UNLESS OTHERWISE SPECIFIED:		DIM. ARE IN INCHES DIM. IN PARENTHESES ARE (MM)	



PARTS LIST			
ITEM	QTY	PART NUMBER	DESCRIPTION
1	1	EZ200241	WELDMENT, BAG RACK - BAG HANGER
2	4	EZ104163	HOOK, BAG SUPPORT , BAG RACK
3	8	EZ101553	BOLT, HEX HEAD GR 5 ZINC PLATED 1/2-13 UNC X 2
4	8	EZ101387	NUT, HEX GR 5 ZINC PLATED 1/2-13 UNC
5	8	EZ101240	WASHER, LOCK 1/2" [ZINC]

DRAWN JEJ CHECKED	DATE 6/30/2020 DATE	EASY AUTOMATION, INC.	
MATERIAL	PROJECT		
 102 MILL STREET WELCOME, MN 56181 OFFICE: (507) 728-8214 FAX: (507) 728-8215 <small>THIS DRAWING IS THE SOLE PROPERTY OF EASY AUTOMATION, INC. ALL RIGHTS RESERVED. NO PARTS MAY BE REPRODUCED OR TRANSMITTED IN ANY FORM OR BY ANY MEANS WITHOUT THE WRITTEN CONSENT OF EAI.</small>	TITLE BULK BAG RACK, STANDARD		
	SIZE B	DWG NO ASSEMBLY	REV A
	SCALE .15	SHEET 2 OF 2	
UNLESS OTHERWISE SPECIFIED:		DIM. ARE IN INCHES DIM. IN PARENTHESES ARE (MM)	