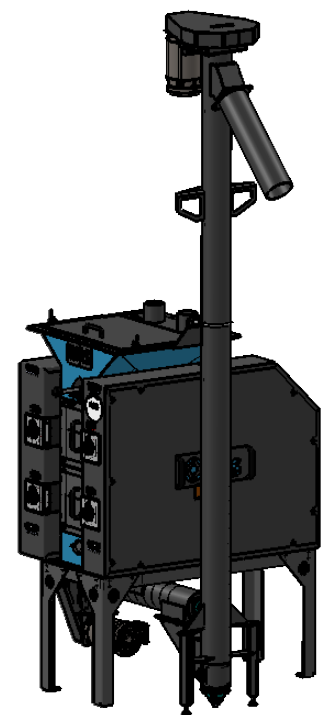
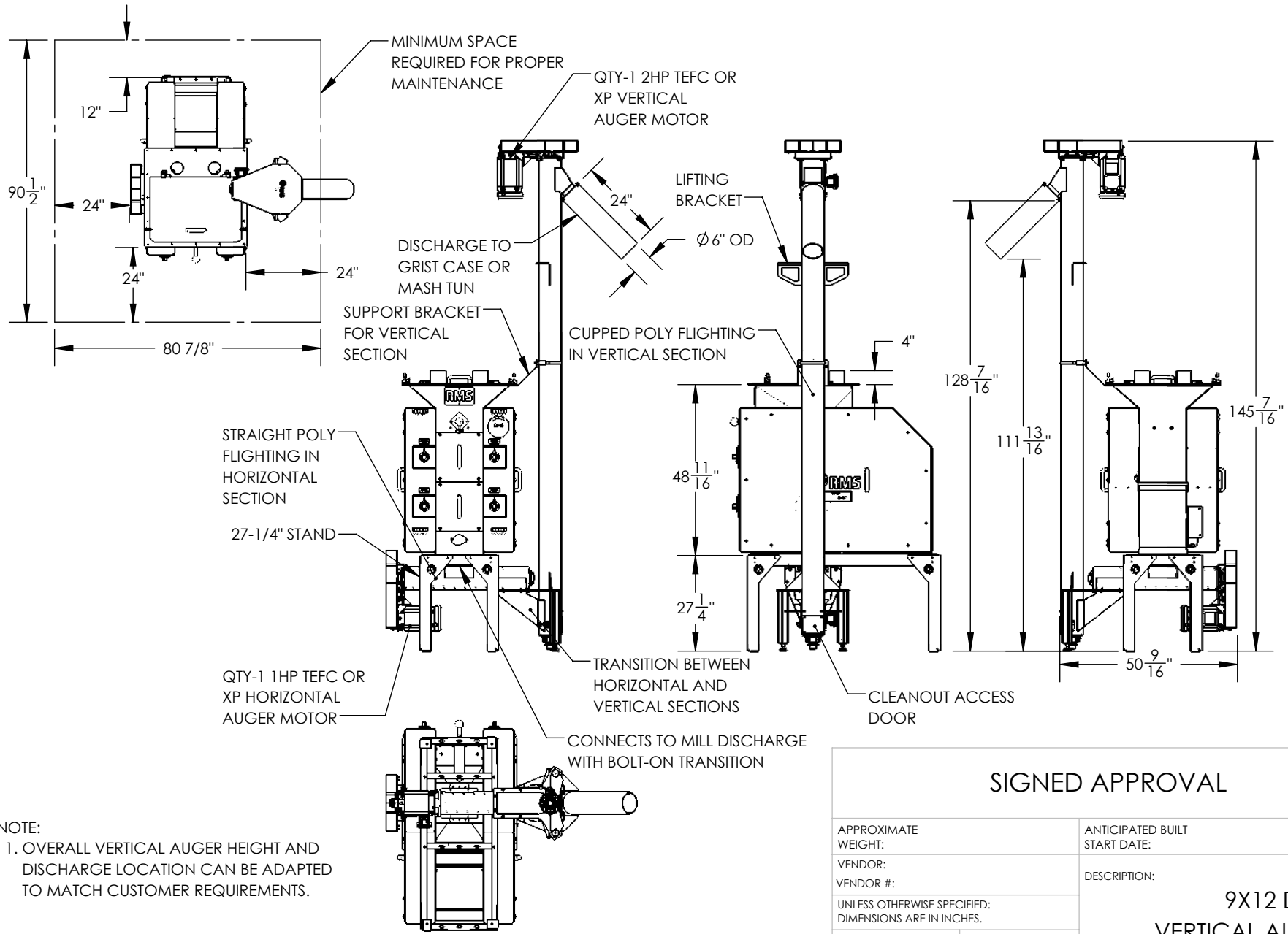


DATE:

CUSTOMER PRINT:

CUSTOMER SIGN:



NOTE:  
 1. OVERALL VERTICAL AUGER HEIGHT AND DISCHARGE LOCATION CAN BE ADAPTED TO MATCH CUSTOMER REQUIREMENTS.

### SIGNED APPROVAL

USE TOLERANCE BLOCK UNLESS OTHERWISE SPECIFIED:  
 .XX ± .02  
 .XXX ± .010  
 .XXXX ± .0005  
 FRACTIONS= ±1/16  
 ANGLES= ±1°

APPROXIMATE WEIGHT:  
 VENDOR:  
 VENDOR #:  
 UNLESS OTHERWISE SPECIFIED: DIMENSIONS ARE IN INCHES.  
 DRAWING SIZE: **A** REVISION:

ANTICIPATED BUILT START DATE:  
 DESCRIPTION:

## 9X12 DOUBLE PAIR VERTICAL AUGER BREW SYSTEM

ANTICIPATED SHIP DATE:  
 WEIGHT: 2709.117

DWG NO.  
**9X12DP 2018**

DRAWN BY:  
**KSD**

DATE:  
**5/4/17**