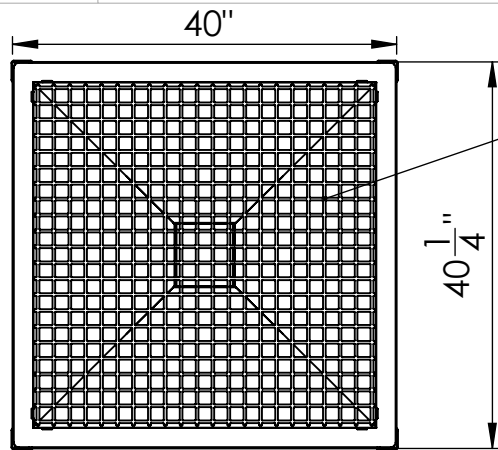


DATE:

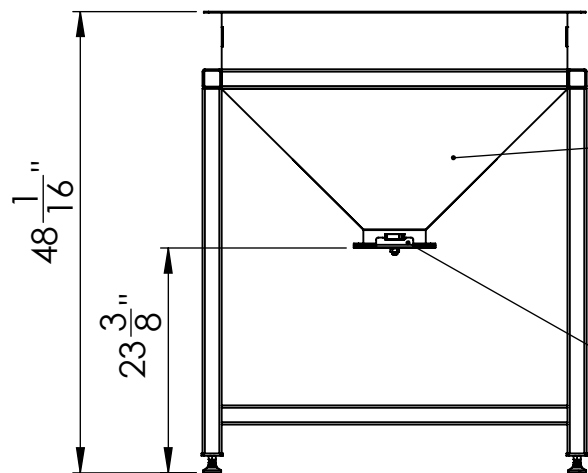
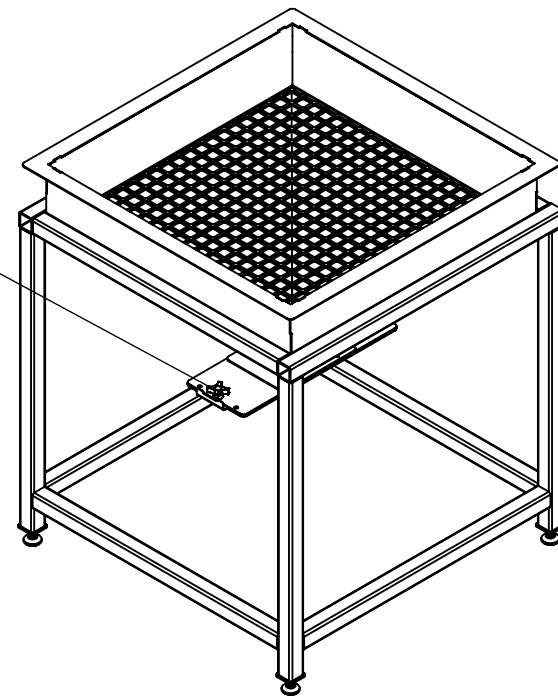
CUSTOMER PRINT:

CUSTOMER SIGN:



Foreign Material Grate

Gate Handle and Lock



10cuff Hopper

**Manual Slide Gate
Adapts to Flex Auger Boot**

Leveling Feet

SIGNED APPROVAL

USE TOLERANCE BLOCK
UNLESS OTHERWISE SPECIFIED:
.XX ± .02
.XXX ± .010
.XXXX ± .0005
FRACTIONS= ±1/16
ANGLES= ±1°

APPROXIMATE WEIGHT:	ANTICIPATED BUILT START DATE:		<p>10cuff Specialty In-Line Hopper</p>
VENDOR:	DESCRIPTION:		
VENDOR #:			
UNLESS OTHERWISE SPECIFIED: DIMENSIONS ARE IN INCHES.			
DRAWING SIZE: A	REVISION:		
ANTICIPATED SHIP DATE:	DWG NO.	DRAWN BY:	DATE:
WEIGHT: 333.779	SCALE:1:20	SHEET 1 OF 1	