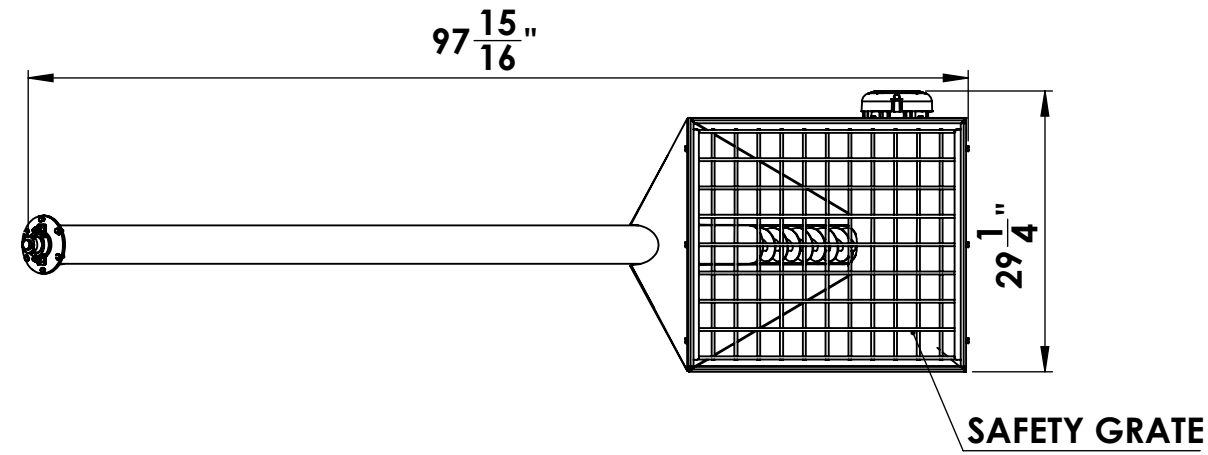
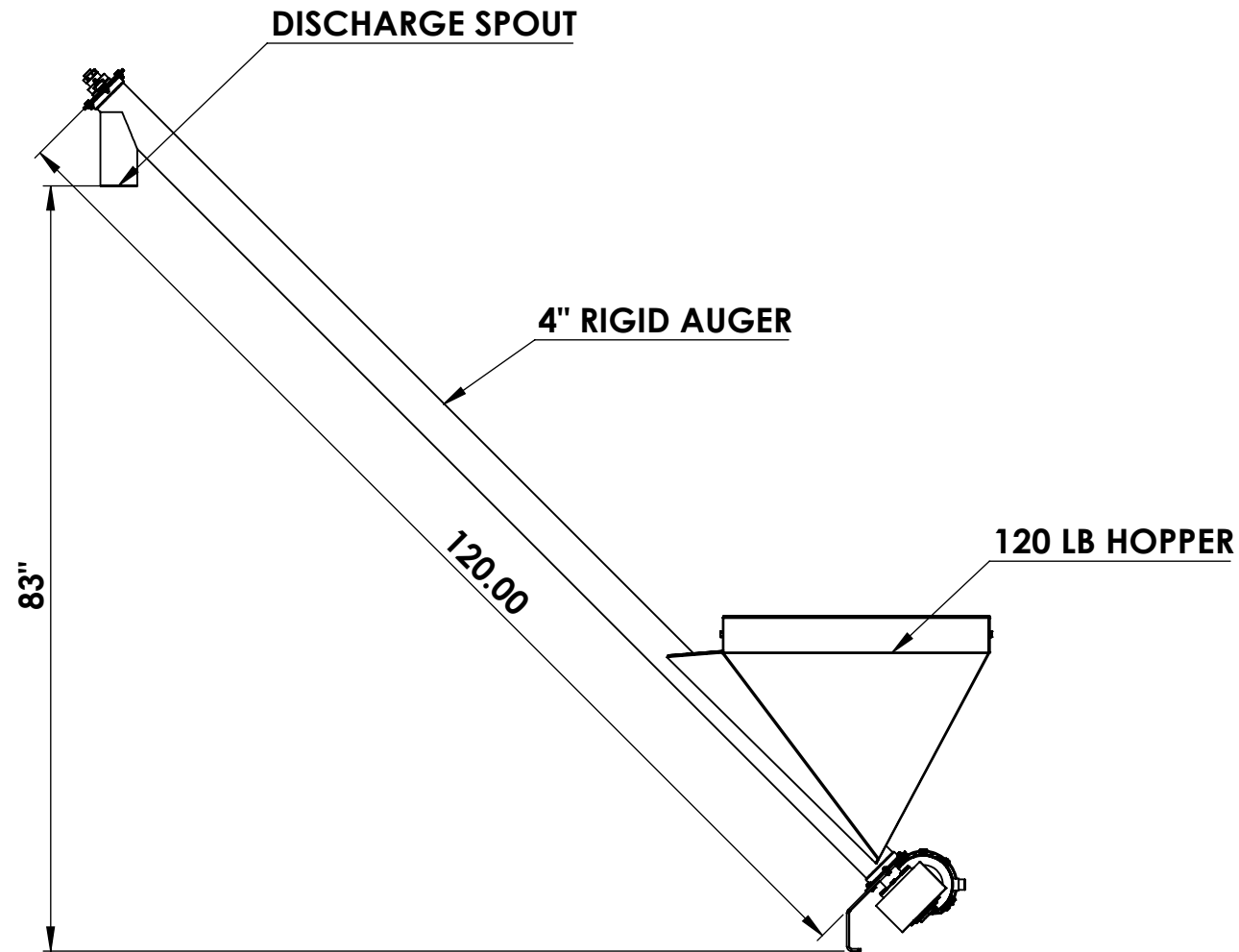


2HP TEFC OR XP
MOTOR W/GEARBOX



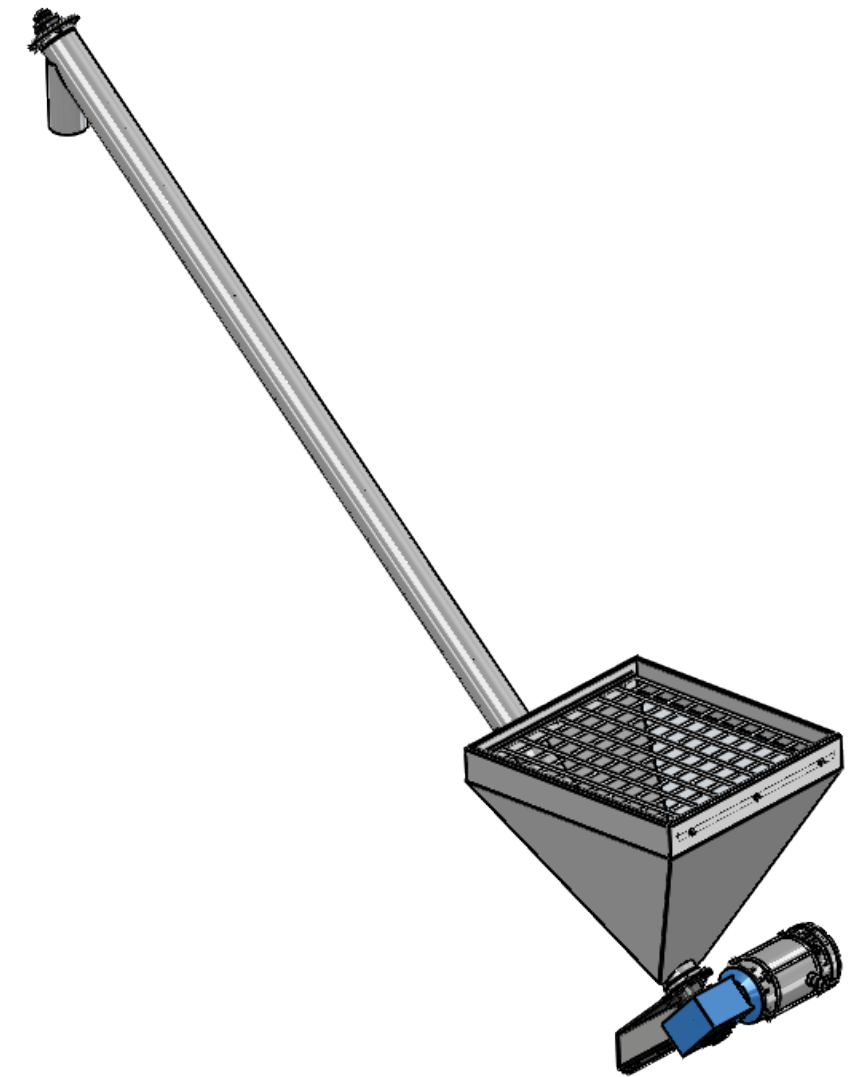
SAFETY GRATE



DISCHARGE SPOUT

4" RIGID AUGER

120 LB HOPPER



27271 Ironworks Ave. Harrisburg, SD 57032 Phone: 605-368-9007, Fax: 605-368-2411		VENDOR: VENDOR #:		DESCRIPTION:	
THIS DRAWING & THE DESIGN IT COVERS ARE THE EXCLUSIVE PROPERTY OF RMS ROLLER-GRINDER OF HARRISBURG, SOUTH DAKOTA. THEY ARE LOANED ONLY ON THE BORROWER'S EXPRESS AGREEMENT THAT THEY WILL NOT BE REPRODUCED, COPIED, LOANED, EXHIBITED OR OTHERWISE USED EXCEPT IN THE LIMITED WAY PERMITTED BY CONSENT OF RMS ROLLER-GRINDER OF HARRISBURG, SOUTH DAKOTA TO THE BORROWER OR THEIR AGENTS.		UNLESS OTHERWISE SPECIFIED: DIMENSIONS ARE IN INCHES.		DRAWN BY:	
		DRAWING SIZE: B REVISION:			
USE TOLERANCE BLOCK UNLESS OTHERWISE SPECIFIED: .XX ± .02 .XXX ± .010 .XXXX ± .0005 FRACTIONS= ±1/16 ANGLES= ±1°		MATERIAL:		DATE:	
WEIGHT:		SCALE: 1:20		SHEET 1 OF 1	
				ROUTING:	