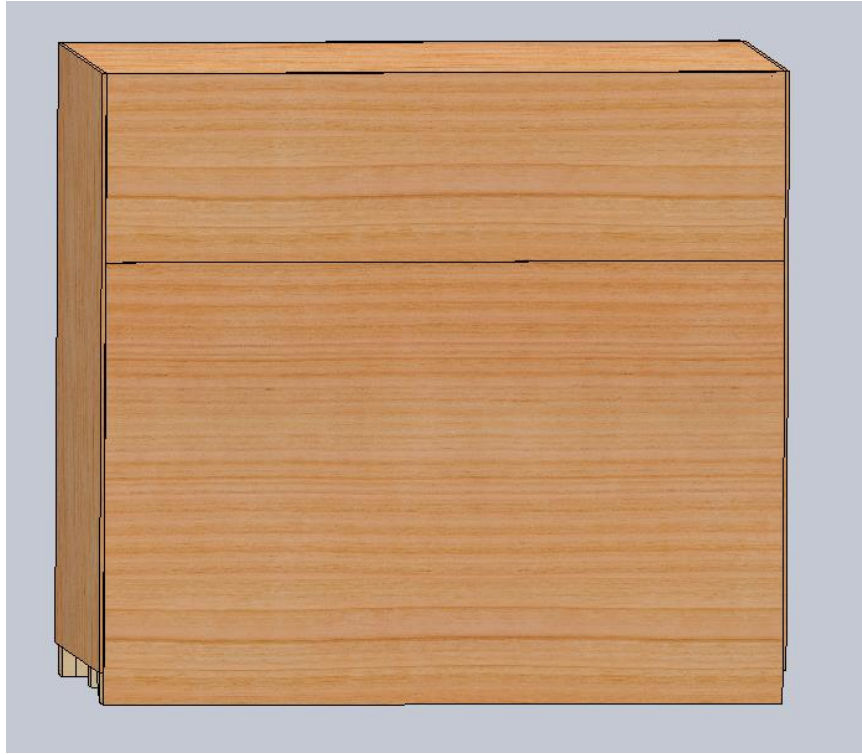
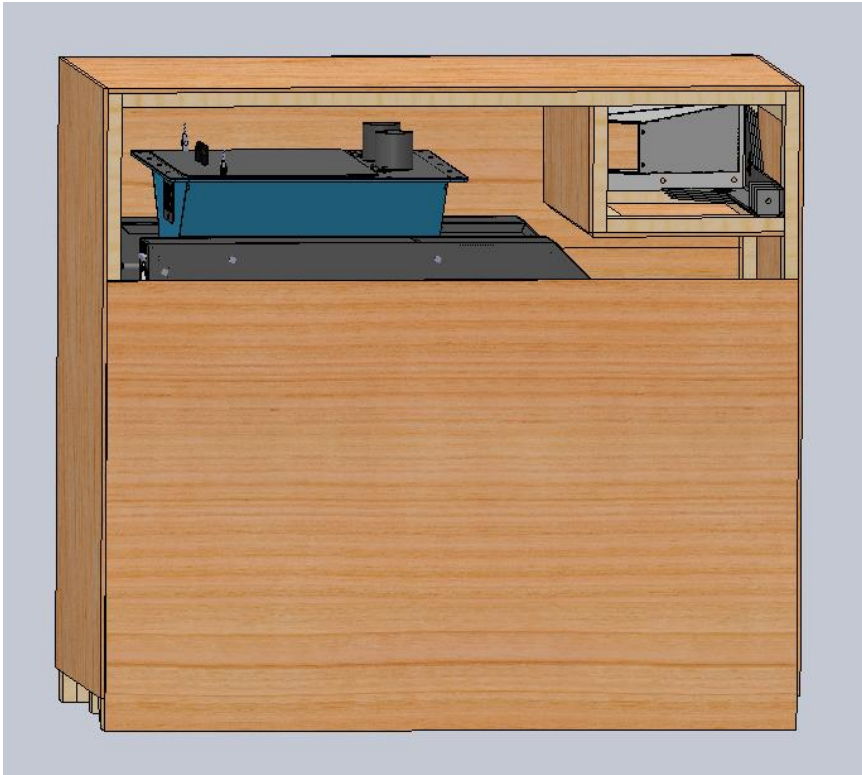


Brew Mill Setup

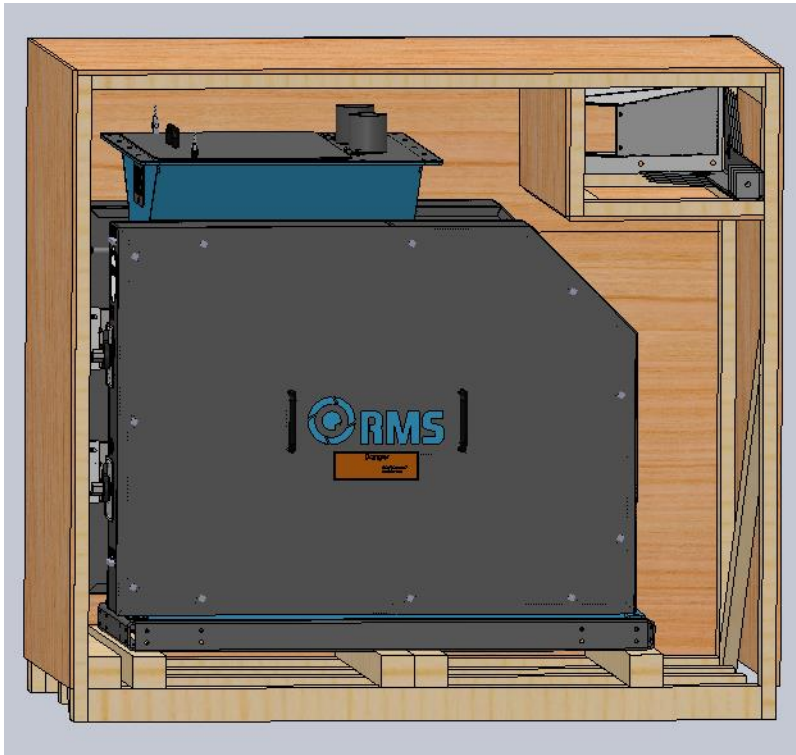


Step 1: Position the crate where you will have access to the side of it with a forklift.

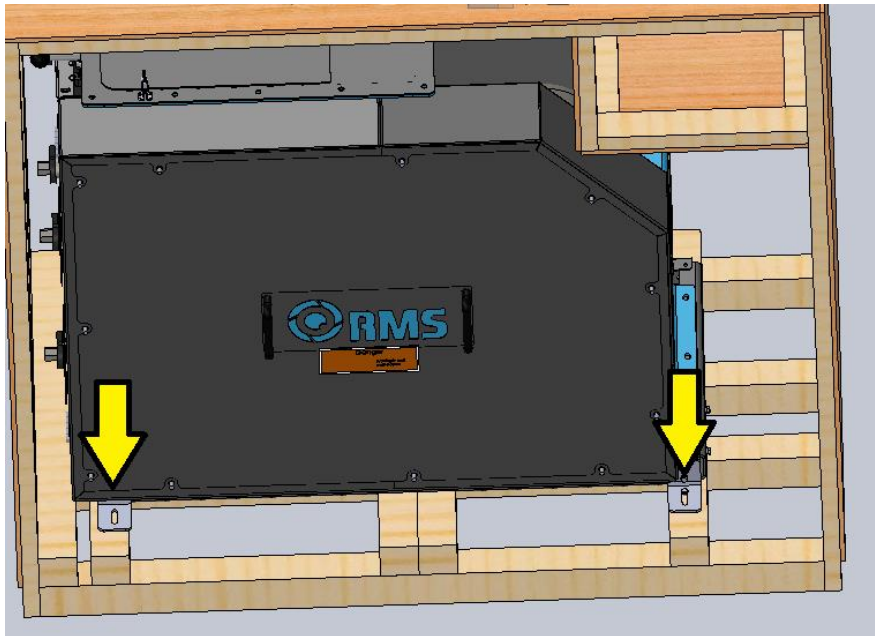


Step 2: Take the top side panel off of the crate.

Brew Mill Setup

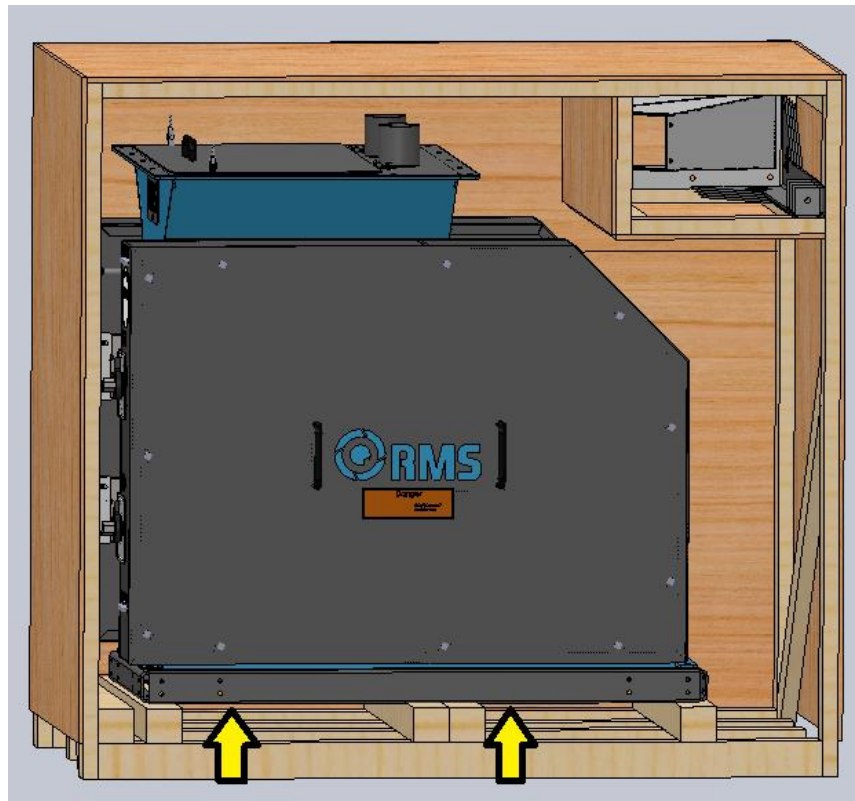


Step 3: Take the bottom side panel off of the crate.

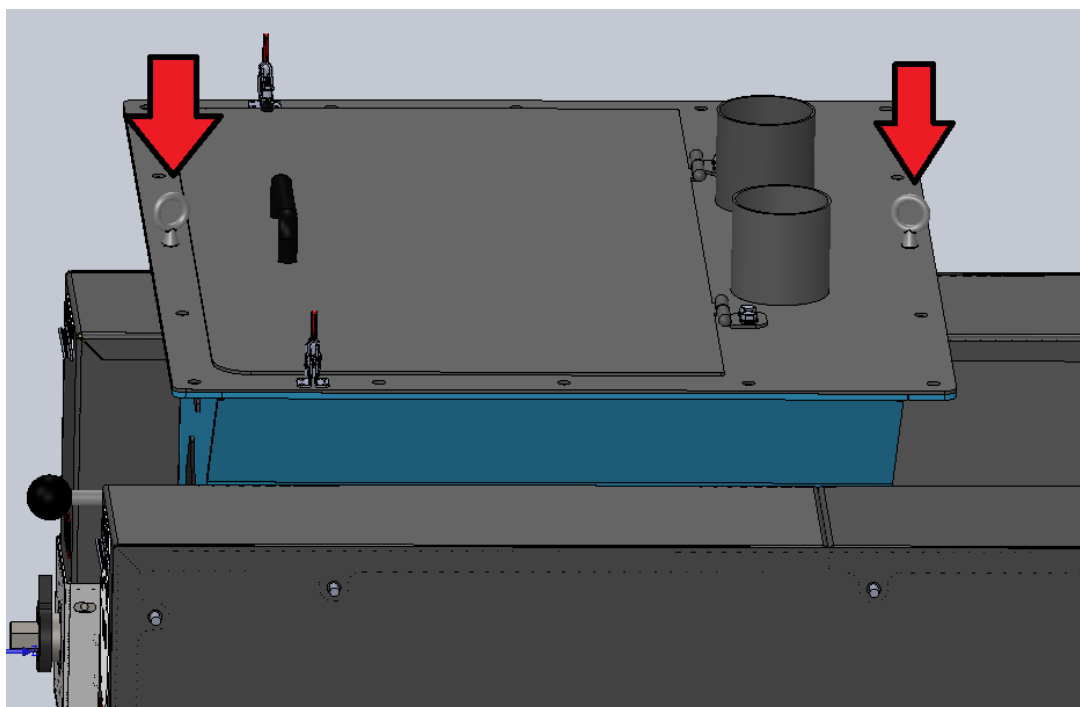


Step 4: Unbolt the stand base from the wood crate (4 bolts and use a 9/16 wrench).

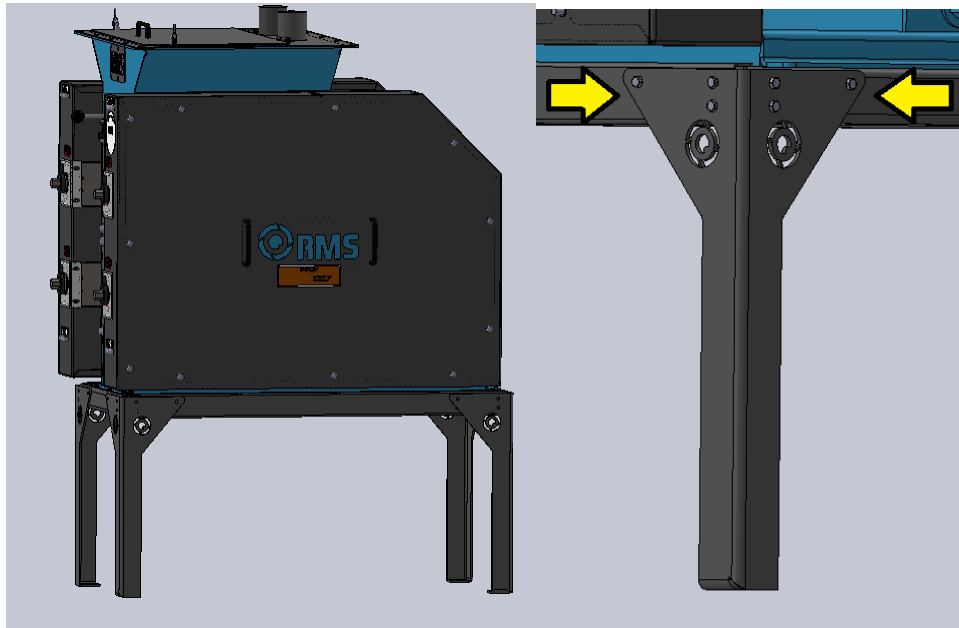
Brew Mill Setup



Step 5: Lift the mill out of the crate with a forklift by placing the forks at the yellow arrows. (You can also use eye bolts. If you use eye bolts you will need to adjust the length of your lifting chains to balance the load. See the red arrows in the image below.)



Brew Mill Setup



Step 6: While the mill is on the forklift install the stand legs using (6) 3/8 flange bolts and nuts for each leg. (The legs are in the top right shelf in the crate. Fasteners are in the mill kit located in the belt guard. Use a 9/16 wrench.)



Step 7: With the legs on you can set the mill in place and then install the discharge using (6) 3/8 flange bolts. (The discharge is in the top right shelf of the crate. The fasteners are in the mill kit. Use a 9/16 wrench.)